

thePrema S360-100 E UP BK

Item no.: 2070602

theben

Presence and motion detectors
Indoor detectors

Description

- Passive infra-red presence detector for flush-mounted ceiling installation
- Square detection area 360°, 7 x 7 m, (49 m²) at mounting height 3 m
- 1 channel light (Relay, 230 V)
- Automatic presence- and brightness-dependent control for lighting
- Mixed light measurement suitable for fluorescent lamps (FL/PL/ESL), halogen/incandescent lamps and LEDs
- Choice of fully or semi-automatic operation
- Adjustable brightness switching value, teach-in function
- Self-learning time delay
- Connection option for sensors or switches for manual switching with automatic recognition of sensor/switch
- Pulse function for staircase light time switch
- Ready for immediate use due to factory preset
- Exceptionally easy configuration of the energy-saving behaviour with the new «eco plus» function
- Test mode for checking function and detection area
- Extension of detection area via Master/Slave or Master/Master switching, a maximum of 10 detectors can be switched in parallel with each other
- Ceiling installation in flush-mounted socket
- Ceiling installation also possible with surface-mounted frame
- User remote control theSenda S, management remote control SendaPro (optional)
- * According to warranty terms and conditions, see www.theben.de/en/guarantee



Subject to technical changes and misprints

additional information at: www.theben.de/product/2070602

The load data are determined with exemplary selected illuminants and are therefore typical data due to the large number of available products.

thePrema S360-100 E UP BK

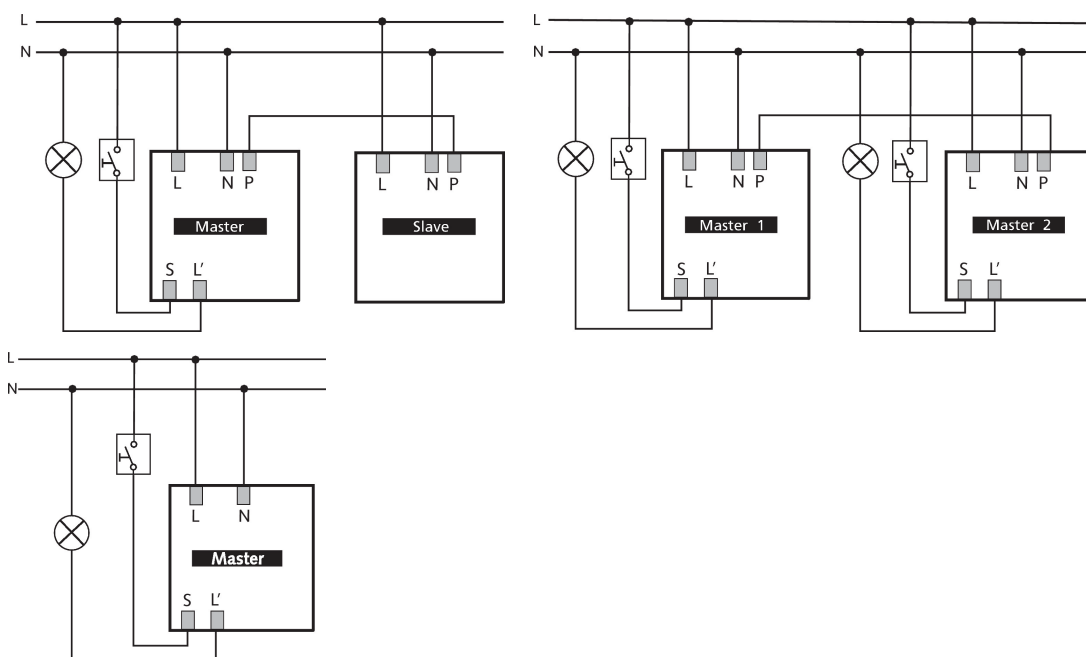
Item no.: 2070602



Technical data

thePrema S360-100 E UP BK		thePrema S360-100 E UP BK	
Operating voltage	110 – 230 V AC \pm 10 %	Compact and fluorescent lamps	1150 VA ($\cos \phi = 0,5$)
Frequency	50 – 60 Hz	Inrush current	max. 800 A / 200 μ s
Installation height	2 – 3.5 m	Energy saving lamps	16 x 54/58 W, 24 x 35/36 W, 8 x 2 x 54/58 W, 12 x 2 x 35/36 W
Minimum height	> 1,7 m	LED lamp < 2 W	60 W
Installation type	Ceiling installation	LED lamp 2-8 W	600 W
Colour	Black	LED lamp > 8 W	600 W
Switching output	Light	Type of connection	Screw terminals
Power consumption	~0.1 W	Max. cable cross section	max. 2 x 2,5 mm ²
Light measurement	Mixed light measurement	Size of concealed housing	\varnothing 55 mm (NIS, PMI)
Setting range brightness	5 – 3000 lx	Detection range	49 m ² (7,0 x 7,0 m)
Light switch-off delay	10 s – 60 min	Detection angle	360°
Type of contact light	Relay 230 V/10 A μ -contact	Ambient temperature	0°C ... 50°C
Lamps	Incandescent/halogen lamps, fluorescent lamps, Energy saving lamps, LEDs	Impact resistance	IK04
Incandescent/halogen lamp load	2300 W	Type of protection	IP 40 (when fitted)

Connection example



Detection range for planning applications at a temperature of 21 °C

Mounting height (A)	Sitting (S)	Walking (T)
2 m	9 m ² 3 m x 3 m	20 m ² 4.5 m x 4.5 m \pm 0.5 m
2.5 m	16 m ² 4 m x 4 m	36 m ² 6 m x 6 m \pm 0.5 m
3 m	25 m ² 5 m x 5 m	49 m ² 7 m x 7 m \pm 1 m
3.5 m		64 m ² 8 m x 8 m \pm 1 m

Subject to technical changes and misprints

additional information at: www.theben.de/product/2070602

The load data are determined with exemplary selected illuminants and are therefore typical data due to the large number of available products.

12/10/2022

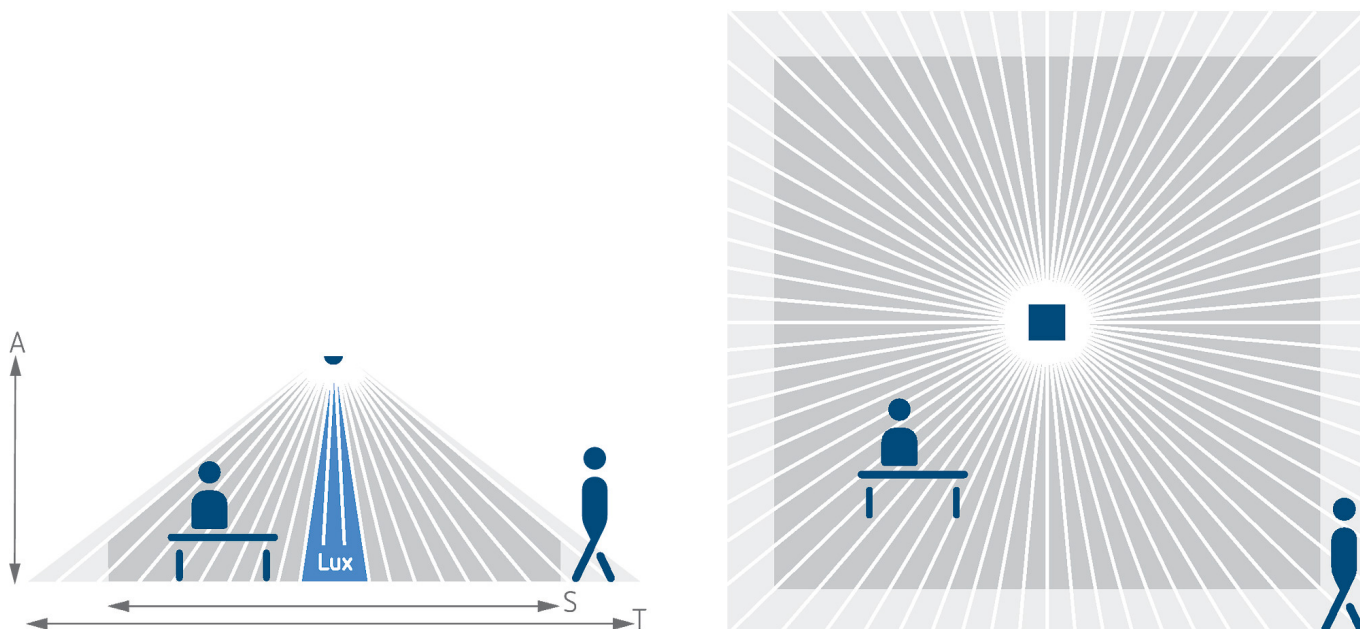
Page 2 of 4

thePrema S360-100 E UP BK

Item no.: 2070602

theben

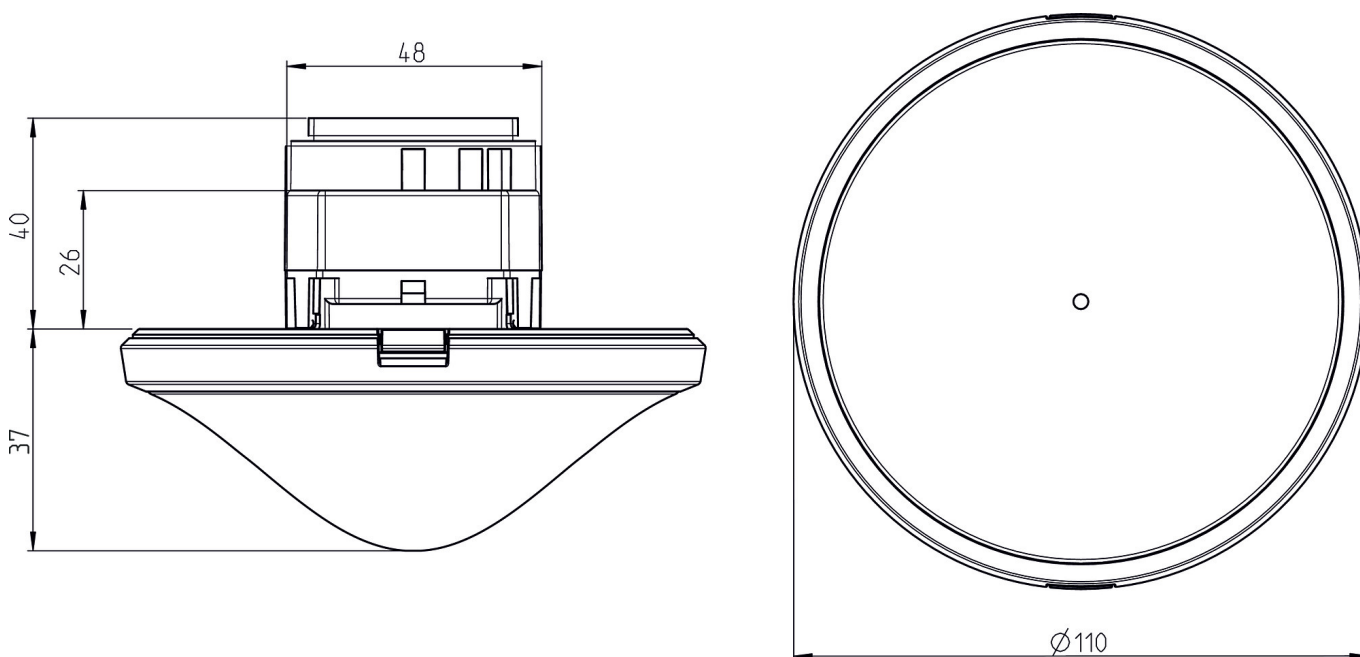
Detection range for planning applications at a temperature of 21 °C



Detection range according to Sensnorm IEC 63180

Mounting height (A)	Diagonally (T)	Head on to (R)	Sitting (S)
2.5 m	40 m ² 6.3 m x 6.3 m	22 m ² 4.7 m x 4.7 m	20 m ² 4.5 m x 4.5 m

Scale drawings



Subject to technical changes and misprints

additional information at: www.theben.de/product/2070602

The load data are determined with exemplary selected illuminants and are therefore typical data due to the large number of available products.

12/10/2022

Page 3 of 4

thePrema S360-100 E UP BK

Item no.: 2070602

theben

Accessories

theSenda P

Item no.: 9070910



theSenda S

Item no.: 9070911

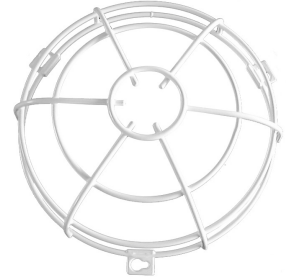


Ceiling installation box 73A

Item no.: 9070917

QuickSafe

Item no.: 9070531



theSenda B

Item no.: 9070985



Ceiling installation box 68A

Item no.: 9070992



Surface frame 110A BK

Item no.: 9070600



Subject to technical changes and misprints

additional information at: www.theben.de/product/2070602

The load data are determined with exemplary selected illuminants and are therefore typical data due to the large number of available products.